



Surface Mount Termination 100 Watts, 50Ω



Description

The C100N50Z4 is high performance Aluminum Nitride (AlN) surface mount termination intended as a cost competitive alternative to Beryllium Oxide (BeO). The termination is well suited to all cellular frequency bands such as; AMPS, GSM, DCS, PCS, PHS and UMTS. The high power handling makes the part ideal for terminating high power 90 degree couplers, and for use in microstrip circuits. The termination is also RoHS compliant!

General Specifications

Resistive Element	Thick film
Substrate	AlN Ceramic
Terminal Finish	Matte Tin over Nickel Barrier
Operating Temperature	-55 to +125°C (see de rating chart)

Tolerance is ± 0.010 ", unless otherwise specified. Designed to meet or exceed applicable portions of MIL-E-5400. All dimensions in inches.

Electrical Specifications

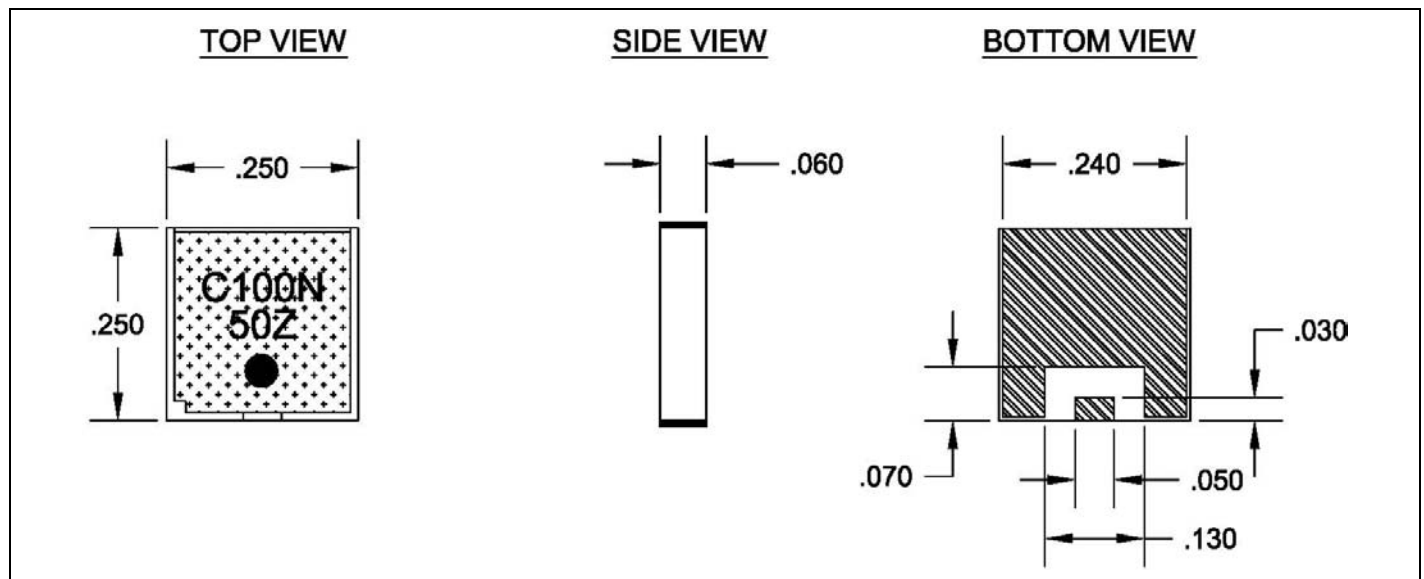
Resistance Value:	50 Ohms, $\pm 2\%$
Power:	100 Watts
Frequency Range:	DC – 4.0 GHz
Return Loss	>24 dB DC - 2.7 GHz >20 dB DC - 4.0 GHz

Specification based on unit properly installed using suggested mounting instructions and a 50 ohm nominal impedance. **Specifications subject to change.**

Features:

- RoHS Compliant
- 100 Watts
- DC – 4.0 GHz
- AlN Ceramic
- Non-Nichrome Resistive Element
- Low VSWR
- 100% Tested
- Small Size

Outline Drawing



C100N50Z4 (097) rev.C pg. 1 of 2



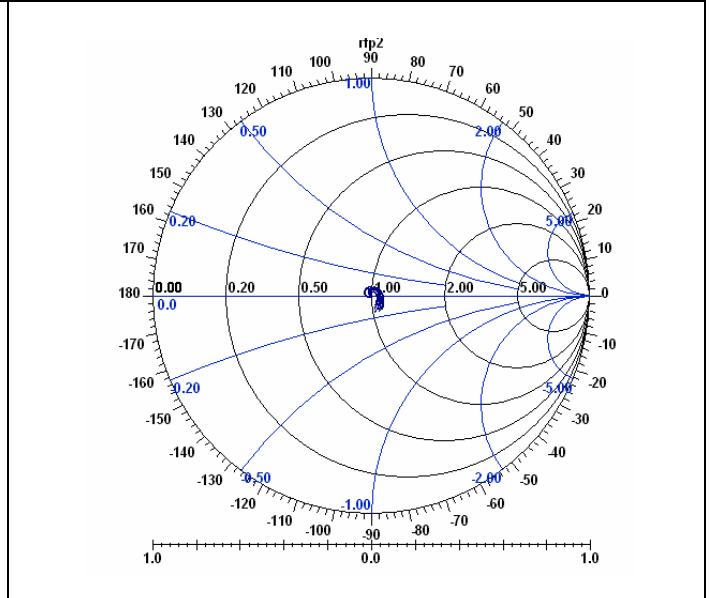
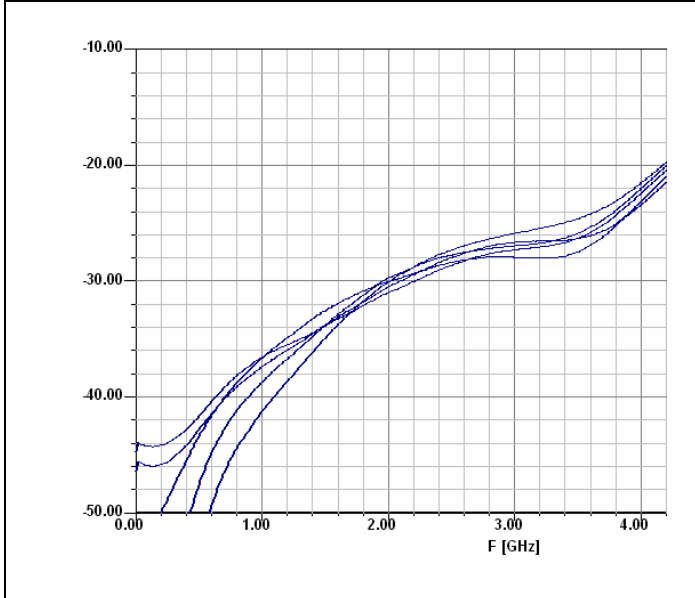
Model C100N50Z4

ROHS
Compliant

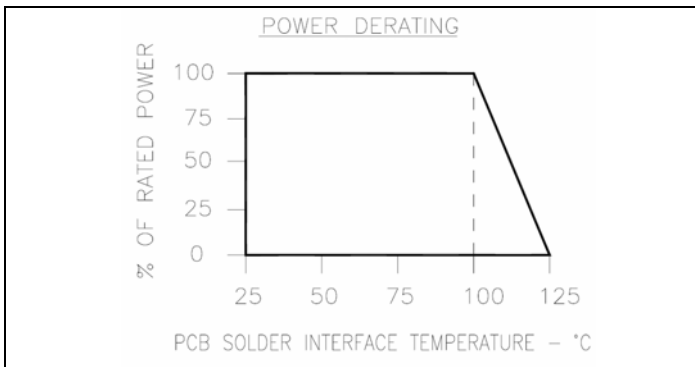
Anaren

RF Power

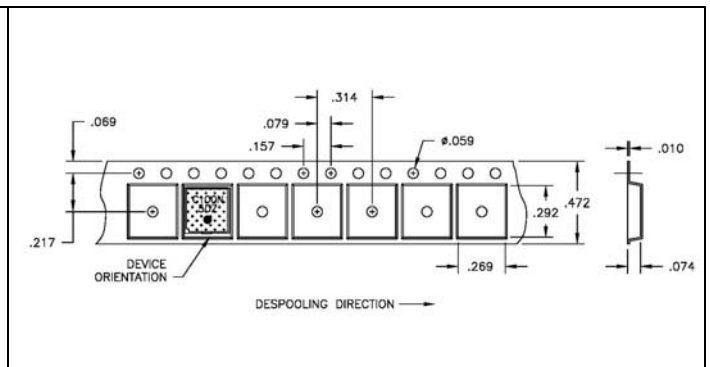
Typical Performance:



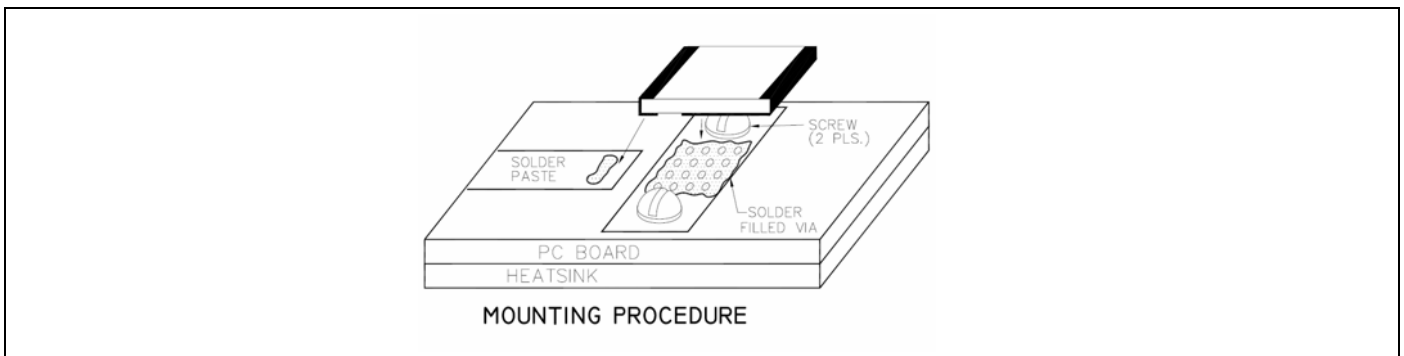
Power De-rating:



Tape & Reel:



Mounting Footprint and Procedure:



C100N50Z4 (097) rev.C pg. 2 of 2

USA/Canada: (315) 432-8909
 Toll Free: (800) 544-2414
 Europe: +44 2392-232392

Available on Tape and
 Reel For Pick and Place
 Manufacturing.



Anaren
 What'll we think of next?™